



The LI100 is used to connect your Lenz DIGITAL plus system to a computer. All functions of the system are available to computer programs. The LI100 has a RS232 interface for computer connection and connection to the any X-Bus based system

Information

LI100 Computer Interface

Art. No. 23100

DIGITAL
— plus

March, 1998

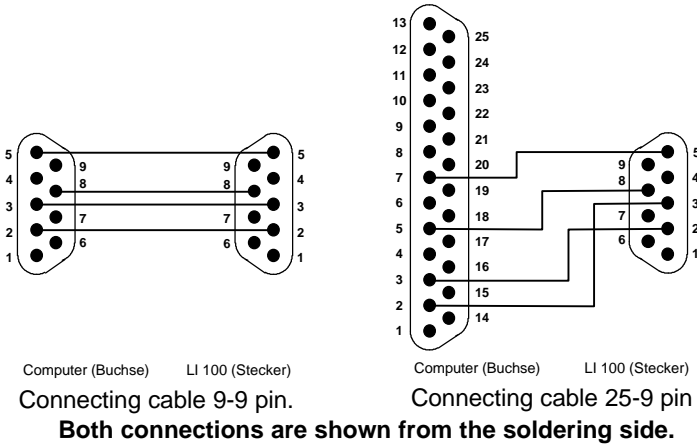
Information Interface LI100

Connection

The Interface is connected anywhere on the XBUS with the enclosed plug. Just like any other input device, the Interface can be plugged in during ongoing operation.

For connecting to the 9-pin serial port of your computer, use the ready-made cable that is included with your Interface (see illustration 1). If you want to connect the Interface to a 25-pin serial port, then you need to make a cable as shown in

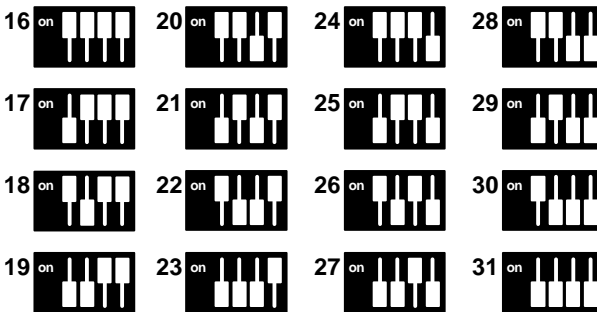
illustration 2. Be careful if you use ready-made adapters from 9-pin to 25-pin! Not all adapters wire the necessary pins with each other!



Setting the device address

Just like any other DIGITAL plus input device, the Interface has an X-BUS address. With this address it is contacted by Command Station LZ100. The factory preset Interface address is 31.

If you want to change this address, you need to open the housing of the Interface and reset the DIP-switches on the circuit board according to the enclosed table. Please note that each XBUS address can only be used once! Address 29 is reserved for Translation Module LC100, and therefore you may only use this address if you do not have a LC100.



Positions of the DIP-switches on the circuit board of LI100 for setting the device address

Data Transmission

Data transmission between Interface and computer uses the following settings:

Speed:	9600 baud
Data bits:	8 data bits
Stop bits:	1 stop bit
Parity:	no parity bit

The Interface uses the CTS-signal to tell the computer it is ready to receive. An exact description of the data protocol between computer and Interface is found on the enclosed floppy disk.

The floppy disks

Together with the Interface LI100 you received several 3.5" floppy disks containing demo programs in both English and German.

On the DIGOTAL plus floppy disk you find the following files which are in German:

- LI100.EXE
- LI100.TXT
- LI100BEF.DOC

as well as the sub-directories with additional German demo programs,

- LI100DOS
- LI100WIN

LI100.EXE is a test program, with which you can operate the most important functions of the DIGITAL plus system using the LI100 connected to the computer. It was designed to help verify correct connections. The program runs under DOS version 3.0 or higher on any PC, XT, AT, etc. with a free COM-port.

The text file LI.TXT contains the operating manual of the program LI100.EXE. this demo program and the instructions are currently only available in German.

The file LI100BEF.DOC describes the command protocol between computer and Interface in detail, as well as the XBUS protocol. This file is useful only to computer programmers and is available in English on our WWW site www.lenz.com. Programmers who desire a printed copy should contact the Lenz Agency directly.

The two subdirectories contain two additional German demo programs.

The other disks included with the LI100 are demo programs in English from several popular manufacturers. A full listing of available software is available on our WWW site or through the Lenz Agency of North America. Questions on the proper operation of these demo programs should be send directly to the software manufacturers.

Warranty

Lenz GmbH does everything it can do to ensure that its products are free from defects and will operate for the life of your model railroad equipment. From time to time even the best engineered products fail either due to a faulty part or from accidental mistakes in installation. To protect your investment in Digital Plus products. Lenz GmbH offers a very aggressive 10 year Limited Warranty.

This warranty is not valid if the user has altered, intentionally misused the Digital Plus product, or removed the product's protection, for example the heat shrink from decoders and other devices. In this case a service charge will be applied for all repairs or replacements. Should the user desire to alter a Digital Plus Product, they should contact Lenz GmbH for prior authorization. Please contact your dealer or authorized Lenz GmbH warranty center for specific instructions and current service charges prior to returning any equipment for repair.

Hüttenbergstraße 29
35398 Gießen,
Germany
Hotline: 06403 900 133
Fax: 06403 5332
<http://www.lenz.com>

Digital

plus
by Lenz

Lenz Agency of North
America
PO Box 143
Chelmsford, MA 01824
ph/fax: 978 250 1494
support@lenz.com

This equipment complies with Part 15 of FCC Rules. Operation is subject to the following two conditions: (1) this device may not cause harmful interference, and (2) this device must accept any interference received, including interference that may cause undesired operation.

© 1998 Lenz GmbH, All Rights Reserved
