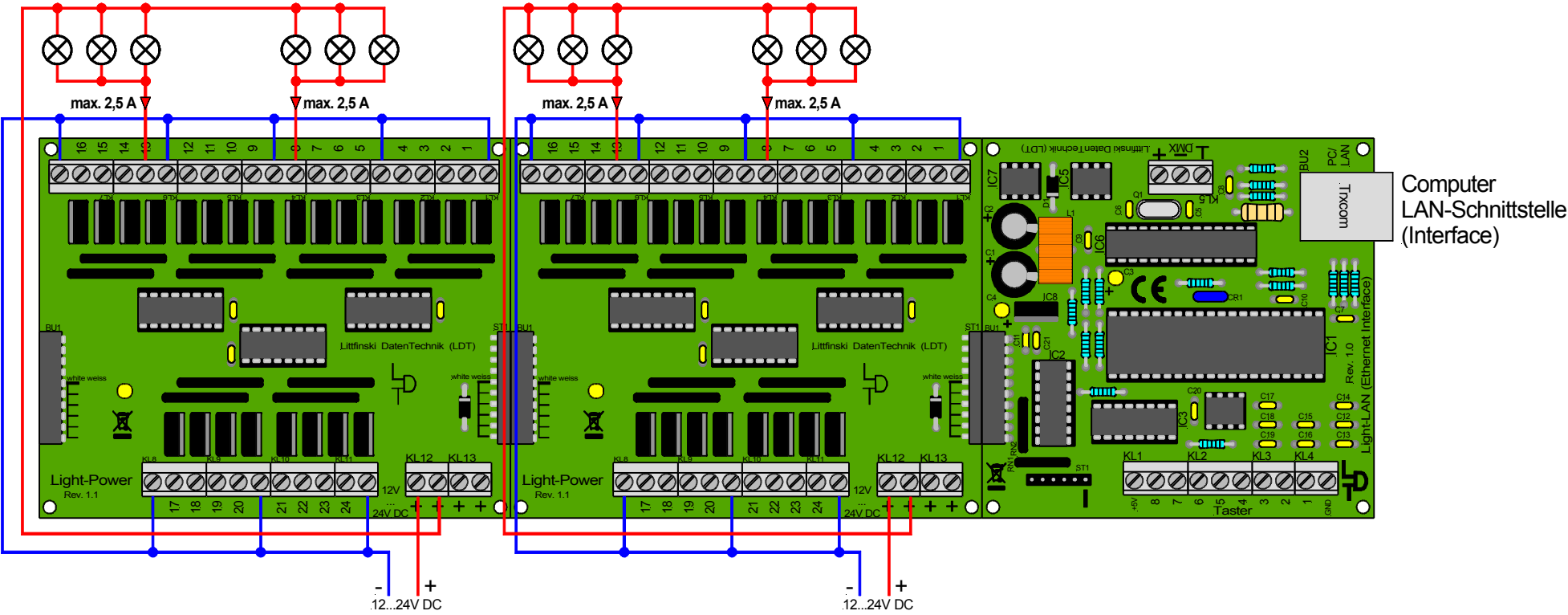


# Light-Power: Zwei Light-Power-Module am Light-LAN Interface

## Light-Power: Two Light-Power-Modules at the Light-LAN Interface



Technische Änderungen und Irrtum vorbehalten.  
Subject to technical changes and errors.  
© 10/2009 by LDT

